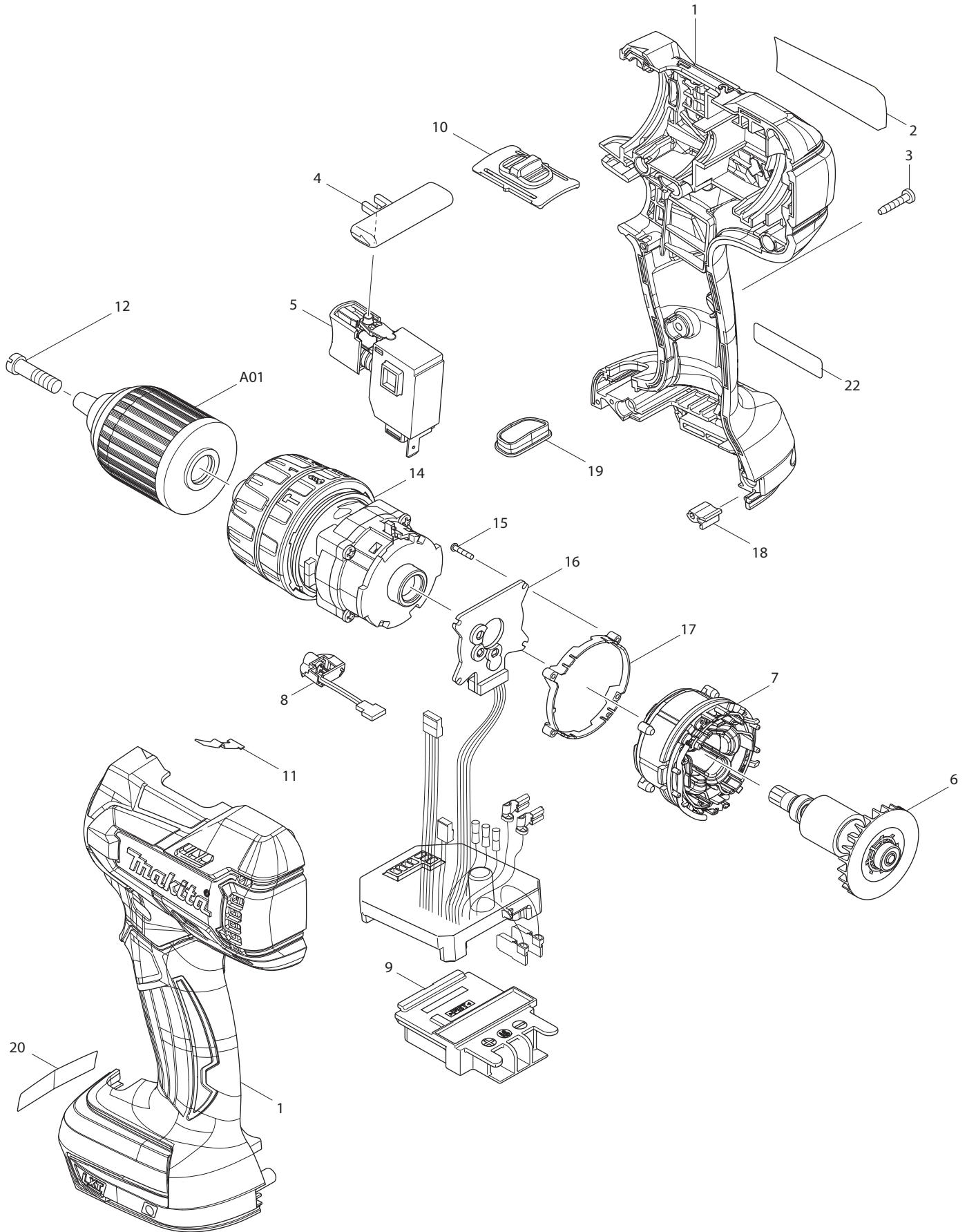




07 - 2013
DHP480RFE, DHP480RME, DHP480SYE, DHP480Z
18V BL HAMMER DRIVER DRILL



| Item No | Type | Part No | Description | Qty | Unit |
|---------|------|----------|-------------------------------|-----|------|
| 1 | | 187714-9 | HOUSING SET | 1 | SET |
| | INC. | 263005-3 | RUBBER PIN 6 | 4 | PC. |
| 2 | | 814X16-1 | NAME PLATE F/DHP480 | 1 | PC. |
| 3 | | 266429-2 | TAPPING SCREW 3X16 | 9 | PC. |
| 4 | | 419250-0 | F/R CHANGE LEVER | 1 | PC. |
| 5 | | 650710-5 | SWITCH C3JW-4B | 1 | PC. |
| 6 | | 619331-2 | ROTOR | 1 | PC. |
| 7 | | 629999-6 | STATOR | 1 | PC. |
| 8 | | 620244-2 | LED CIRCUIT | 1 | PC. |
| 9 | | 643860-3 | TERMINAL | 1 | PC. |
| 10 | | 126180-5 | SPEED CHANGE LEVER ASSEMBLY | 1 | PC. |
| 11 | | 232182-2 | LEAF SPRING | 1 | PC. |
| 12 | | 251468-5 | - FLAT HEAD SCREW M6X22 | 1 | PC. |
| 14 | | 126353-0 | GEAR ASSEMBLY | 1 | PC. |
| 15 | | 266786-8 | + PAN HEAD TAPPING SCREW 2X10 | 4 | PC. |
| 16 | | 620245-0 | CONTROLLER | 1 | PC. |
| 17 | | 687464-1 | SUPPORT | 1 | PC. |
| 18 | | 424517-3 | CUSHION | 1 | PC. |
| 19 | | 142263-3 | INDICATOR PANEL COMPLETE | 1 | PC. |
| 20 | | 802A04-2 | CAUTION LABEL (SP) | 1 | PC. |
| 22 | | 802A05-0 | CAUTION LABEL (FR) | 1 | PC. |
| 100 | | 251314-2 | + SCREW M4X12 | 1 | PC. |
| 101 | | 875144-3 | CARTON F/DHP480Z | 1 | PC. |

ACCESSORIES

- See Catalogue or visit www.makita.ca for more accessories -

| | | | | | |
|-----|--|----------|--|---|-----|
| A01 | | 766008-1 | KEYLESS DRILL CHUCK 13 | 1 | PC. |
| A02 | | 346449-3 | HOOK | 1 | PC. |
| A03 | | 784637-8 | + BIT 2-45 | 1 | PC. |
| A04 | | ----- | BATTERY CHARGER | | |
| A05 | | ----- | 18V LI-ION BATTERY | | |
| A06 | | ----- | LI-ION BATTERY ACCESSORIES | | |
| | | 450128-8 | BATTERY COVER | 1 | PC. |
| A07 | | 821532-2 | PLASTIC CASE COMPLETE | 1 | PC. |